



Blade Groups

CHALLENGER TRACTORS

A *CLW* Company

www.imac.ca

**FEEDLOTS • FARMS • LIGHT INDUSTRIAL
SILAGE HANDLING • LIGHT DUTY DOZING • SNOW REMOVAL**



Specifications:

- 150" x 53" high. (Optional widths available)
- Angle 25 degrees left and right • PAT Blades tilt 20" either side

Models:

HA144	Hydraulic Angle Dozer	3200 lb.
PAT150 SD	Standard Duty Power Angle Tilt Dozer	3550 lb.
PAT150 HD	Heavy Duty Power Angle Tilt Dozer*	3750 lb.
	*(Includes Thicker T1 Moldboard & Extra Wear Life Cutting Edges)	
PAT150 ES	Extreme Service Power Angle Tilt Dozer**	3950 lb.
	**(Includes E.S. T1 Moldboard, Corner Bits & Upgraded Edges)	

Options:

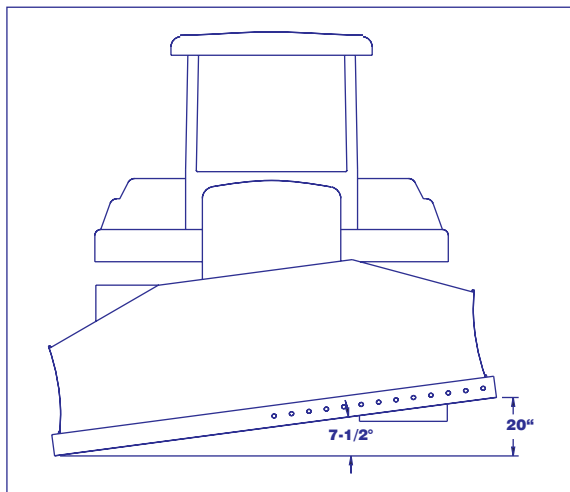
Upgrade to Cat hoses and add Q.D's. at fender
12" Spill Plate Extension (Weld on - not shown)

Other Equipment:

PTG-LD	Standard Duty 3 piece Power train Guard	500 lb.
PTG-HD	Heavy Duty 3 piece Power train Guard	1000 lb.
CW1200	1200 lb. Rear Mounted Counterweight	1200 lb.
CW3000	3000 lb. Rear Mounted Counterweight	3000 lb.

Extra Counterweight Recommended

Make Your Machine More Machine



TILT

6 Way Functions

- Lift/Lower
- Tilt - L & R
- Angle - L & R

Controlled from the cab



ANGLE



**CUT TRACK
CLEARANCE**

